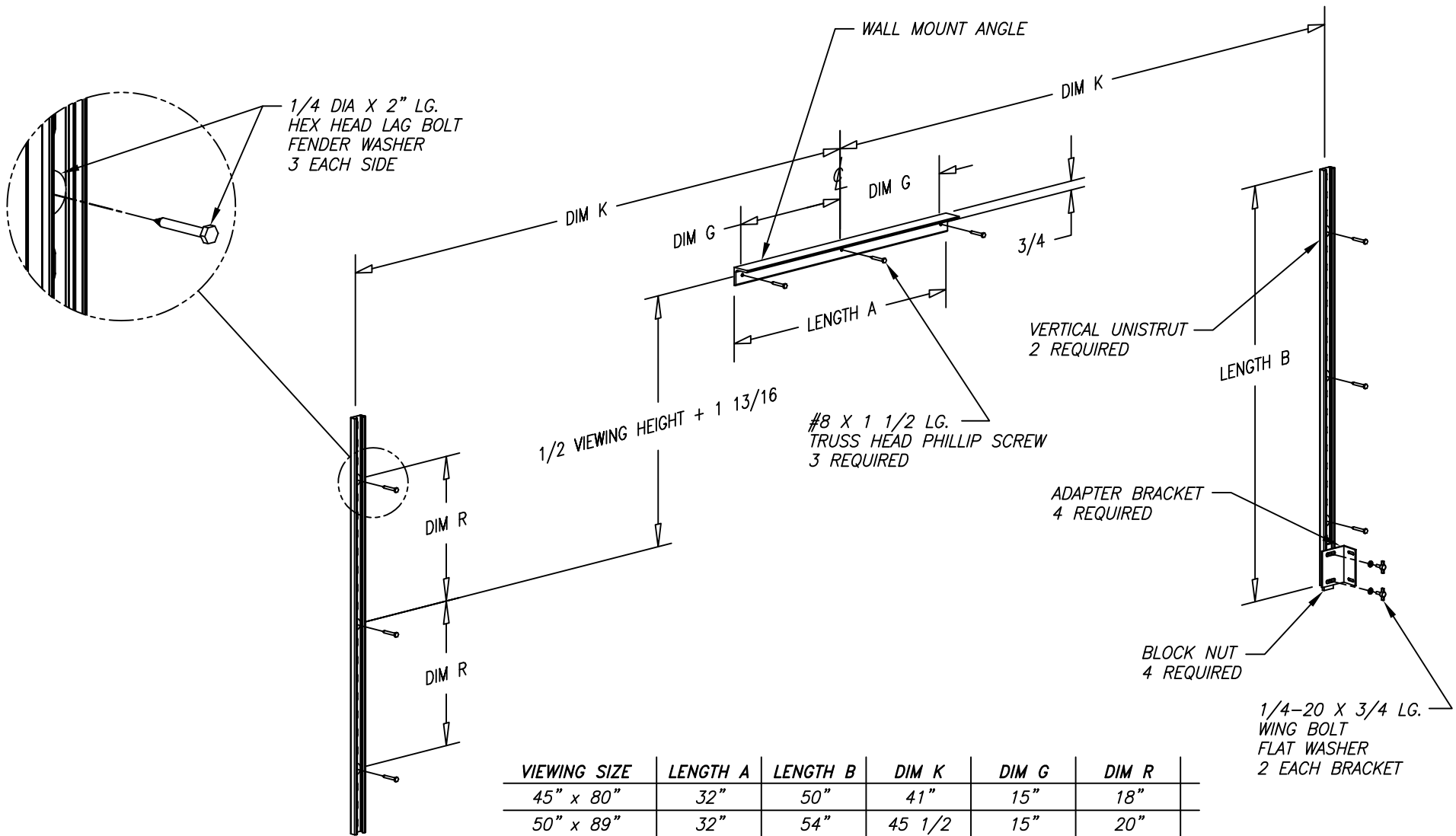


### STEP 3

- 1 - HANG THE SCREEN FRAME ONTO WALL MOUNT ANGLE.
- 2 - MOVE EACH ADAPTER BRACKET TO MATCH MOUNTING HOLES OF SIDE COVERS.
- 3 - INSTALL SCREWS TO HOLD SIDE COVERS TO ADAPTER BRACKETS.
- 4 - CHECK SCREEN LOCATION AND MAKE ADJUSTMENTS AS NECESSARY. ONCE SATISFIED; TIGHTEN ALL WING BOLTS TO SECURELY LOCK ADAPTER BRACKETS.
- 5 - REMOVE SCREWS HOLDING SIDE COVERS TO ADAPTER BRACKETS. REMOVE SCREEN FRAME FOR SCREEN FABRIC INSTALLATION. SEE STEP 2.
- 6 - REHANG THE COMPLETED SCREEN. TIGHTEN ALL SCREWS.
- 7 - APPLY VELVET DOTS OVER SCREW HEADS FOR A FINISHED APPEARANCE.

<b>VUTEC CORPORATION</b>		
11711 W. SAMPLE ROAD. CORAL SPRINGS, FL 33065		
DRAWN BY	DESCRIPTION	DRAWING NO.
07/26/12 AM	FRAME ASSEMBLY 1 DYNACURVE FS	DFS40-INSTL_FRAME
CHECKED BY		SCALE: 1/10
		REV 0

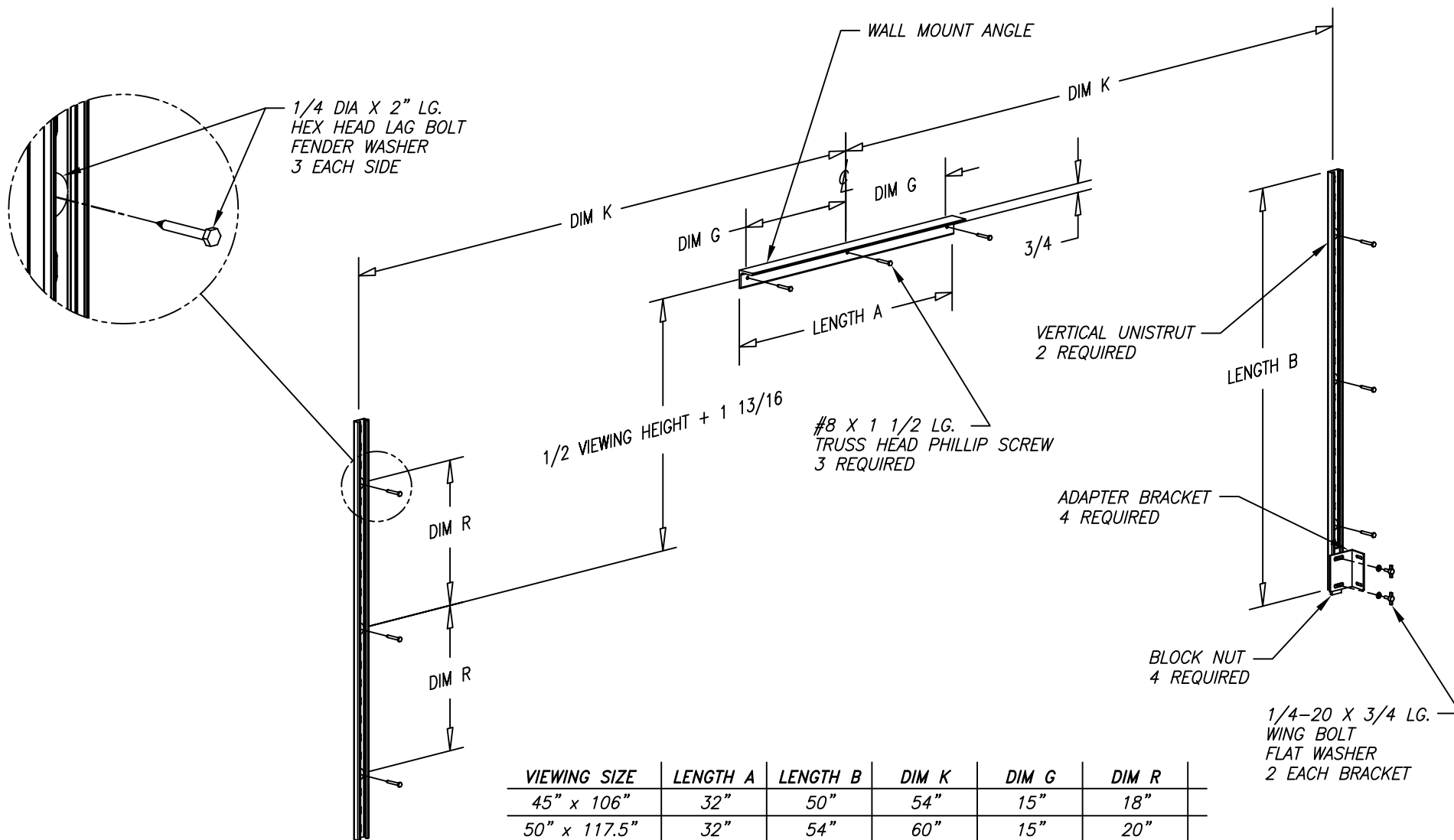


VIEWING SIZE	LENGTH A	LENGTH B	DIM K	DIM G	DIM R
45" x 80"	32"	50"	41"	15"	18"
50" x 89"	32"	54"	45 1/2"	15"	20"
54" x 96"	32"	58"	49"	15"	22"
57.5" x 102"	32"	62"	52"	15"	24"

### INSTALLATION

- 1 - REVIEW THE DRAWINGS FOR THE SCREEN AND DETERMINE ITS LOCATION.
- 2 - INSTALL THE WALL MOUNT ANGLE. BE SURE IT IS LEVEL.  
USE APPROPRIATE MOUNTING SCREWS (BY INSTALLERS) FOR THE WALL.
- 3 - INSTALL THE UNISTRUTS. BE SURE IT IS PLUMB.
- 4 - HANG THE SCREEN ONTO THE ANGLE. CENTER THE SCREEN ON THE ANGLE.

<b>VUTEC CORPORATION</b>		
11711 W. SAMPLE ROAD. CORAL SPRINGS, FL 33065		
DRAWN BY 03/03/10 HN	DESCRIPTION <b>WALL MOUNT PLAN</b> DYNACURVE FS - 16:9	DRAWING NO. DFS40-INSTL_MOUNT
CHECKED BY		SCALE: 1/16    REV <b>A</b>



VIEWING SIZE	LENGTH A	LENGTH B	DIM K	DIM G	DIM R
45" x 106"	32"	50"	54"	15"	18"
50" x 117.5"	32"	54"	60"	15"	20"
54" x 127"	32"	58"	64 1/2"	15"	22"
57.5" x 135"	32"	62"	68 1/2"	15"	24"

### INSTALLATION

- 1 - REVIEW THE DRAWINGS FOR THE SCREEN AND DETERMINE ITS LOCATION.
- 2 - INSTALL THE WALL MOUNT ANGLE. BE SURE IT IS LEVEL.  
USE APPROPRIATE MOUNTING SCREWS (BY INSTALLERS) FOR THE WALL.
- 3 - INSTALL THE UNISTRUTS. BE SURE IT IS PLUMB.
- 4 - HANG THE SCREEN ONTO THE ANGLE. CENTER THE SCREEN ON THE ANGLE.

<b>VUTEC CORPORATION</b>		
11711 W. SAMPLE ROAD. CORAL SPRINGS, FL 33065		
DRAWN BY	DESCRIPTION	DRAWING NO.
03/03/10 HN	<b>WALL MOUNT PLAN</b> DYNACURVE FS - 2.35:1	DFS40-INSTL_MOUNT
CHECKED BY		SCALE: 1/16
		REV <b>A</b>