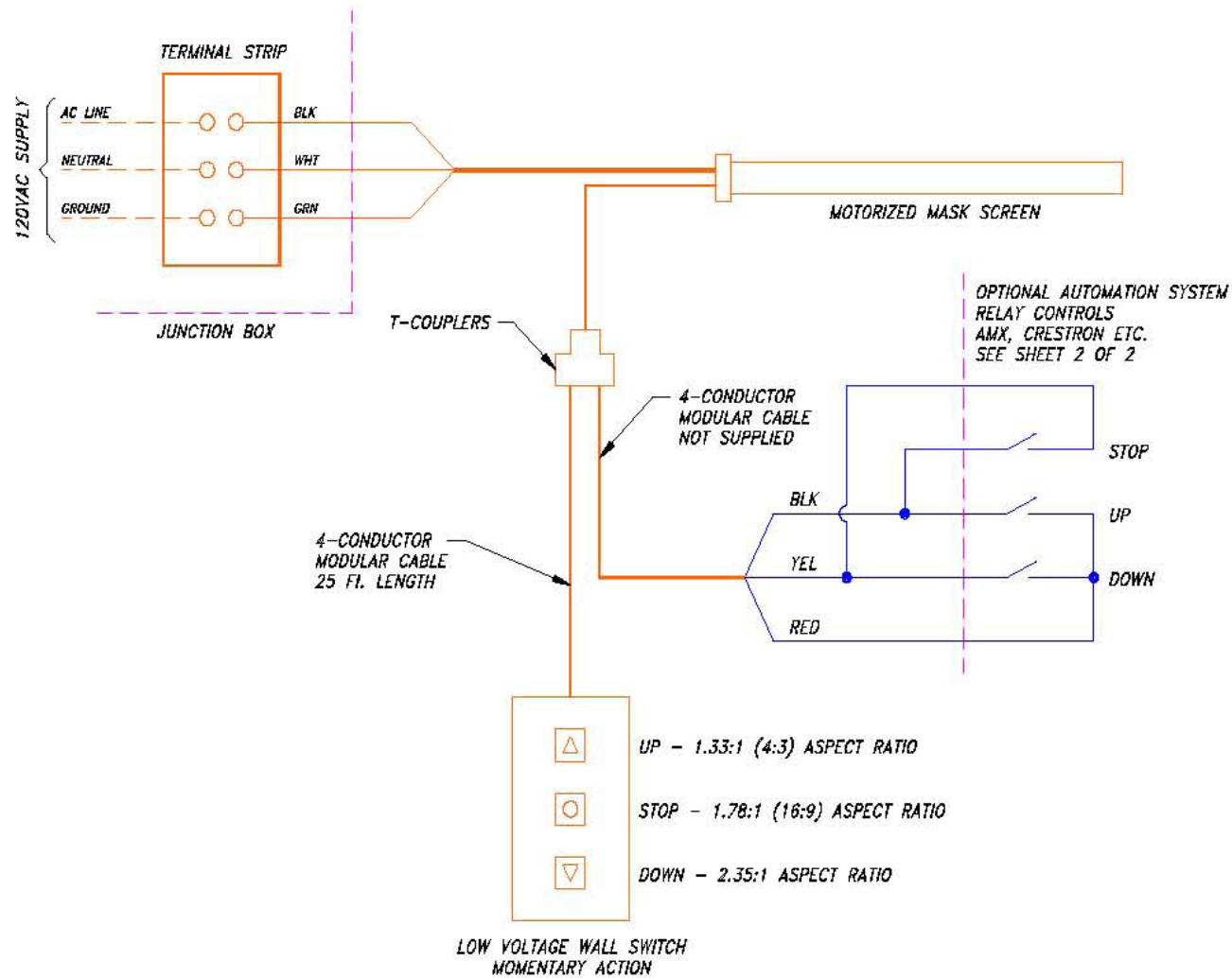


# WIRING DIAGRAM

## VISION XFH, 120VAC

Quote No. \_\_\_\_\_



- Notes:
- 1 - Dashed wirings shown are to be connected by installers.
  - 2 - Wirings must conform to local and/or national electrical codes and regulations.
  - 3 - Wirings must be of minimum 18 AWG.

Sheet 1 of 2  
CAD drawing - NOT TO SCALE

<i>Optional Control Specified</i>		
<i>Project No.</i>	<i>Originator</i>	<i>Date</i>
<i>Customer Signature</i>	<i>Special Notes</i>	<i>Date</i>

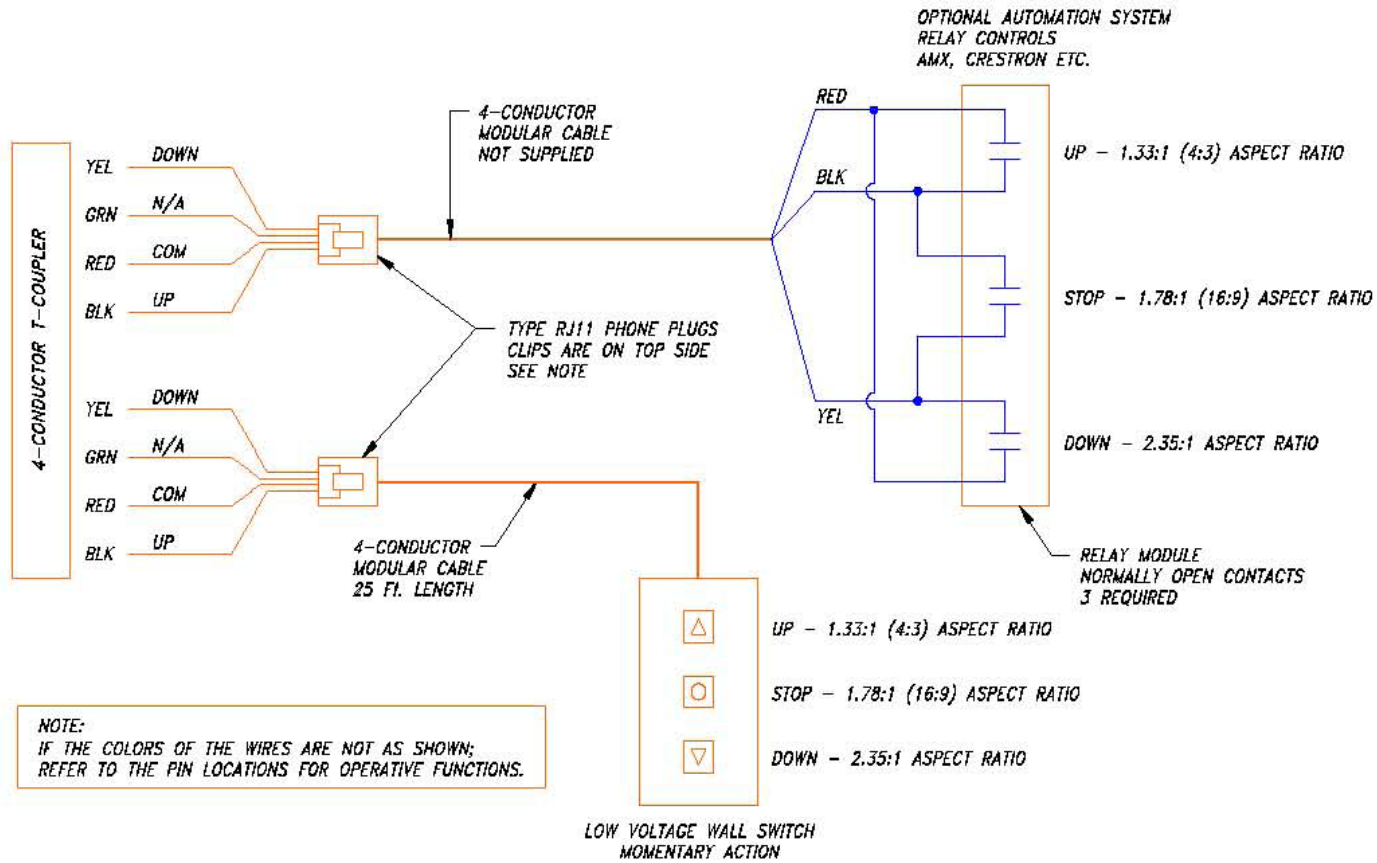


**VUTEC CORPORATION**

Phone: (800) 770-4700  
 Phone: (954) 545-9000  
 Fax: (954) 545-9011  
 E-mail: [info@vutec.com](mailto:info@vutec.com)  
[WWW.VUTEC.COM](http://WWW.VUTEC.COM)

Quote No. \_\_\_\_\_

## WIRING DIAGRAM VISION XFH, 120VAC AUTOMATION CONTROLS



Sheet 2 of 2  
CAD drawing - NOT TO SCALE

Optional Control Specified

Project No.

Originator

Date

Customer Signature

Special Notes

Date



VUTEC CORPORATION

Phone: (800) 770-4700

Phone: (954) 545-9000

Fax: (954) 545-9011

E-mail: [info@vutec.com](mailto:info@vutec.com)

WWW.VUTEC.COM