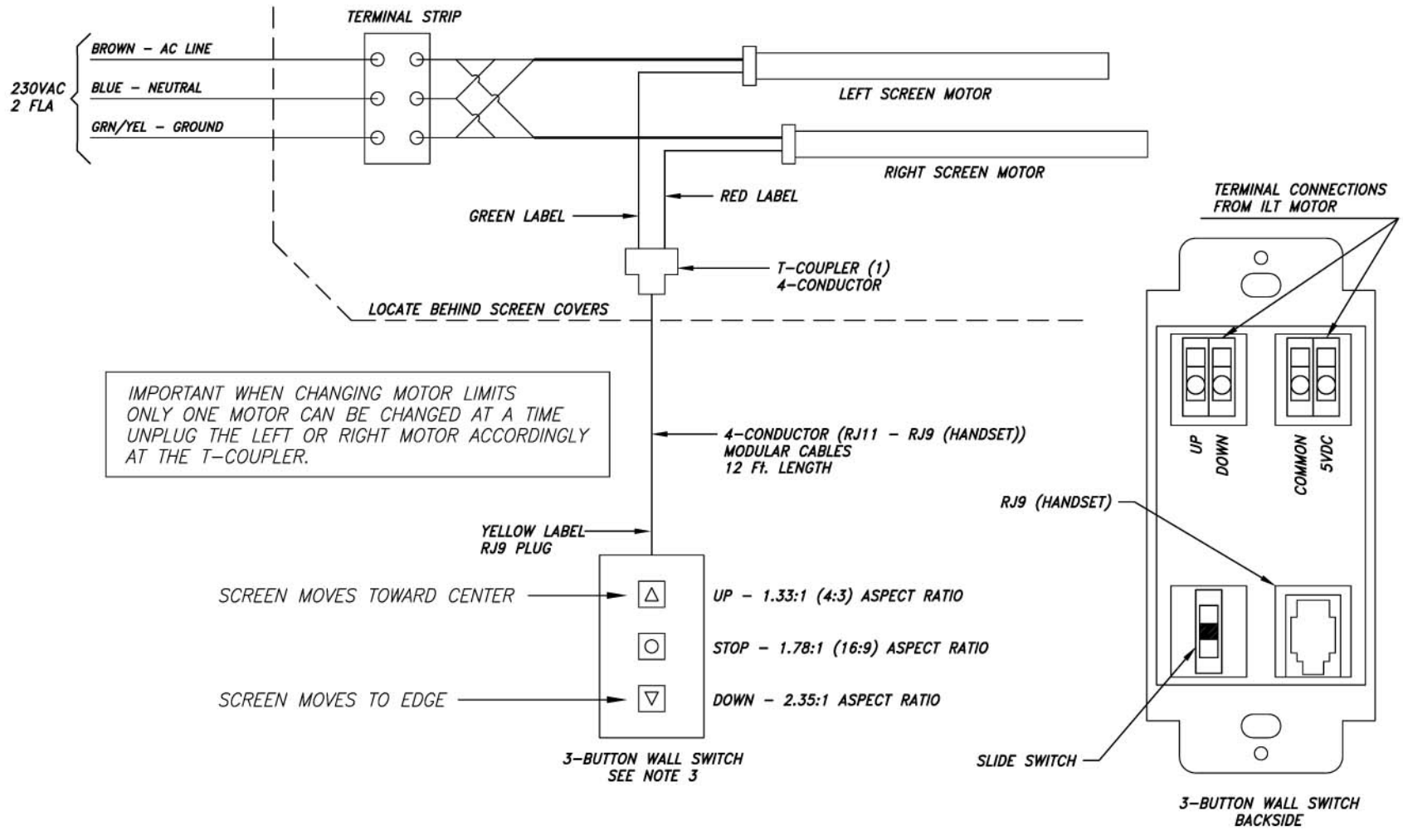


AUTOMATION SYSTEM
 DRY CONTACTS CONTROL
 AMX, CRESTRON ETC.
 SEE NOTE 3



- NOTES:
- 1 - WIRINGS MUST BE INSTALLED BY QUALIFIED ELECTRICIANS AND COMPLIED WITH NATIONAL AND/OR LOCAL ELECTRICAL CODES AND REGULATIONS
 - 2 - PLACE THE IR-6 CONTROLLER IN A CONVENIENT LOCATION FOR EASY ACCESS
 - 3 - OPTIONAL WIRINGS (CABLE SUPPLIED) FOR AUTOMATION SYSTEM CONNECTIONS

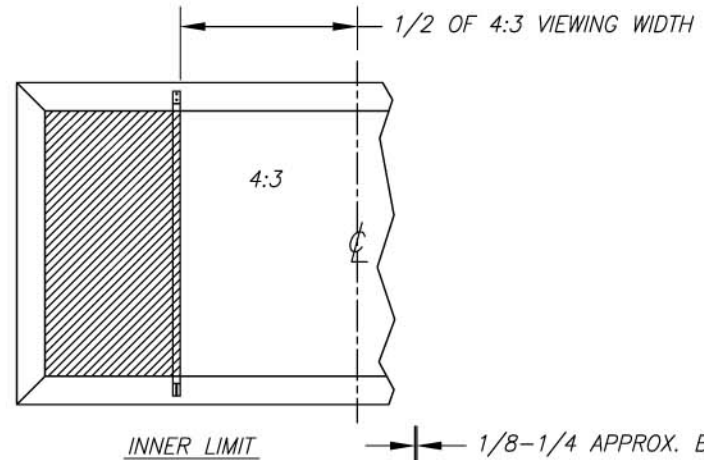
DRAWN BY 04/15/09 HN	DESCRIPTION WIRING DIAGRAM - 230 VAC DYNACURVE	DRAWING NO. DCV40-SCH230	
		SCALE: 4/5	REV A



DRAWN BY 04/15/09 HN	DESCRIPTION WIRING DIAGRAM - 230 VAC DYNACURVE	DRAWING NO. DCV40-SCH230
CHECKED BY		SCALE: 4/5
		REV A

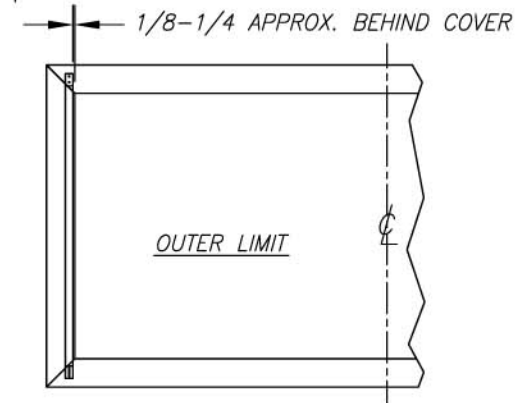
CHANGING THE INNER LIMIT (4:3 SCREEN RATIO)

- SET THE SLIDE SWITCH TO LOWER POSITION TO CHANGE THE INNER LIMIT.
- CONTROL OF MOTOR BECOMES MOMENTARY ACTION.
- PRESSING THE UP-ARROW BUTTON MUST MOVE THE SCREEN TOWARD CENTER.
- IF THE SCREEN MOVES IN THE OPPOSITE DIRECTION; MOMENTARY PRESS THE STOP BUTTON TO CHANGE DIRECTION.
- PRESS THE UP-ARROW OR DOWN-ARROW BUTTONS TO MOVE THE SCREEN TO THE DESIRED POSITION. RELEASE THE BUTTON TO STOP THE SCREEN.
- DO NOT PRESS STOP BUTTON TO STOP THE SCREEN!
- SET THE SLIDE SWITCH TO CENTER POSITION TO RETURN TO NORMAL OPERATIONS.



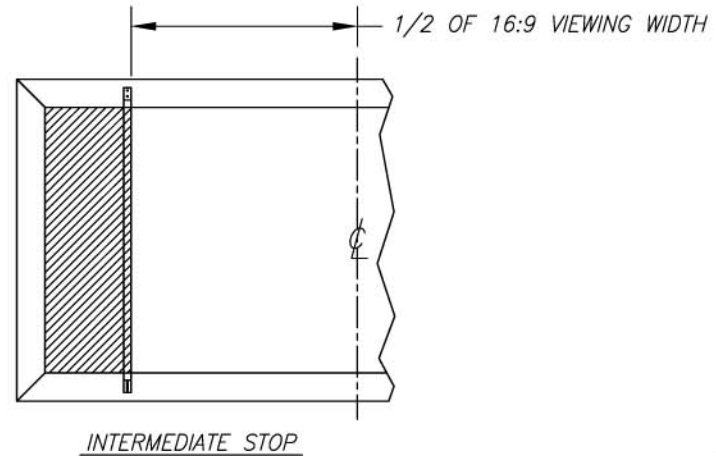
CHANGING THE OUTER LIMIT (2.35:1 SCREEN RATIO)

- SET THE SLIDE SWITCH TO UPPER POSITION TO CHANGE THE OUTER LIMIT.
- CONTROL OF MOTOR BECOMES MOMENTARY ACTION.
- PRESSING THE DOWN-ARROW BUTTON MUST MOVE THE SCREEN TO THE EDGE.
- IF THE SCREEN MOVES IN THE OPPOSITE DIRECTION; MOMENTARY PRESS THE STOP BUTTON TO CHANGE DIRECTION.
- PRESS THE UP-ARROW OR DOWN-ARROW BUTTONS TO MOVE THE SCREEN TO THE DESIRED POSITION. RELEASE THE BUTTON TO STOP THE SCREEN.
- DO NOT PRESS STOP BUTTON TO STOP THE SCREEN!
- SET THE SLIDE SWITCH TO CENTER POSITION TO RETURN TO NORMAL OPERATIONS.



CHANGING THE INTERMEDIATE STOP (16:9 SCREEN RATIO)

- THE SLIDE SWITCH MUST BE AT CENTER POSITION FOR NORMAL OPERATIONS.
- PRESS THE UP-ARROW OR DOWN-ARROW BUTTONS TO MOVE THE SCREEN TO THE DESIRED POSITION. PRESS THE STOP BUTTON TO STOP THE SCREEN.
- PRESS AND HOLD THE STOP BUTTON FOR MINIMUM OF 5 SECONDS TO RECORD THE INTERMEDIATE POSITION.
- CHECK ALL THE DESIRED SETTINGS BY PRESSING THE BUTTONS.
- IMPORTANT FEATURE OF THE STOP BUTTON:
 - WHILE THE SCREEN MOVING; PRESS THE STOP BUTTON WILL CAUSE THE SCREEN TO STOP AT RANDOM.
 - PRESS THE STOP BUTTON WHILE THE SCREEN IS AT REST WILL CAUSE THE SCREEN TO MOVE TO ITS PROGRAMMED STOP.



DRAWN BY	DESCRIPTION	DRAWING NO.	
04/15/09 HN	WIRING DIAGRAM - 230 VAC DYNACURVE	DCV40-SCH230	
CHECKED BY		SCALE: 4/5	REV A